

高清智能网络摄像机

HD Intelligent IP Camera

KEDACOM

快速安装指南

Quick Start Guide

一前言

感谢您购买我司产品，如对本公司产品有疑问或需要，请随时和我们联系。

此内容（手册）的目的是确保用户正确使用本产品，以避免危险或财产损失。在使用产品之前，请认真阅读此手册并妥善保存以备日后参考。如果用户因没有按照以下安全说明，致使设备不能正常使用或损坏等情况，我司恕不负责，感谢您的配合。

二安全使用注意事项

1.电源要求

- 请在安装使用设备过程中，严格遵守当地各项电气安全规定。
- 请使用满足安全电压要求的电源，在设备运行之前检查供电电源是否正确。
- 请在安装配线时装入易于使用的断电设备，以便必要时进行紧急断电。
- 请保护电源软线免受踩踏或紧压，特别是在插头、电源插座和从装置引出的接点处。
- 请在断电状态下连接电源、告警、音频、RS485等线缆，严禁在设备上电的情况下连线。

2.使用环境要求

- 请勿将摄像机对准强光（如灯光照明、太阳光等处）聚焦，否则容易引起过亮或漏光现象（这并非摄像机故障）也将影响摄像机寿命。
- 请在允许的湿度和温度范围内运输、使用和存储设备。
- 请勿将设备置于潮湿、多尘、极热、极冷、强电磁辐射或照明条件不稳定等场所。
- 请勿让任何液体流入设备，以免内部元件受损。
- 请勿阻挡设备附近的通风口，以免热量积蓄。
- 请在运送设备时，重新以出厂时的包装进行包装，或用同等品质的材质包装。
- 请勿在运输、存储及安装过程中重压、剧烈震动、浸泡设备。
- 本产品达到IP67防护等级，工作于室外露天环境时，请注意尾线的防水处理。

工作环境		
工作电源	DC 12V, 0.65A	AC24V, 0.46A
温度	-40°C ~ +70°C	
湿度	10% ~ 95% (无凝结)	
海拔高度	-60m ~ 3000m	
大气压	86kPa ~ 106kPa	

3.日常维护与保养

- 请勿直接接触设备发热部件，以免烫伤。
- 镜头沾染灰尘或油脂时，用棉布或镜头清洁布擦拭。若遇污垢难以清除，蘸上少量镜片清洁液，自镜头中心向外旋转轻轻擦拭，直到干净为止。禁止使用有机溶剂（苯、酒精等）对镜头和护罩前脸进行除尘、清洁。
- 请不要以任何方式拆卸或修改产品。（对未经认可的修改或维修导致的问题，本公司不承担任何责任）。
- 如果设备工作不正常，请联系经销商或最近的服务中心。

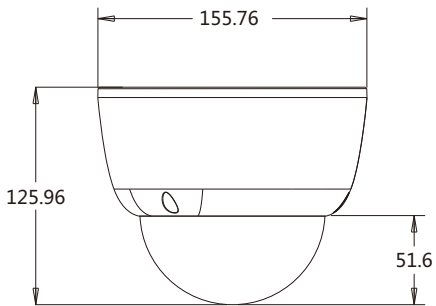
4.特别声明

- 本手册中的图示仅供参考，产品请以实物为准。
- 我们尽最大努力来保证本手册信息的正确性，如因升级等原因发生信息修改，恕不另行通知。
- 本手册能作为多个型号产品的使用指导，但并不一一列举每个产品的使用情况，请您根据实际产品自行对照。
- 本产品使用光盘内IPCSearch激活后方能使用，激活时请填写有效邮箱，方便找回密码。
- 为了提高产品网络使用的安全性，建议您设置高强度密码：密码长度必须达到8-16个字符，且至少由数字和字母或特殊字符中的两种或两种以上类型组合而成。请您定期更改用户名的密码，建议每3个月更新一次密码。如果设备在较高安全风险的环境中使用，建议每月或每周更新一次。请妥善保管好您的用户名与密码。
- 将本产品接入互联网需自担风险，包括但不限于产品可能遭受的网络攻击、黑客攻击、病毒感染等，本公司不对因此造成的产品工作异常、信息泄露等问题承担责任，本公司将及时为您提供产品相关技术支持。
- 如需获取最新文档，请至官网下载，官网地址www.kedacom.com。

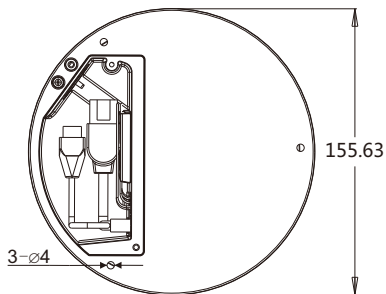
【说明】更多信息见附带光盘中的《高清网络摄像机用户手册》。

三外观及接口

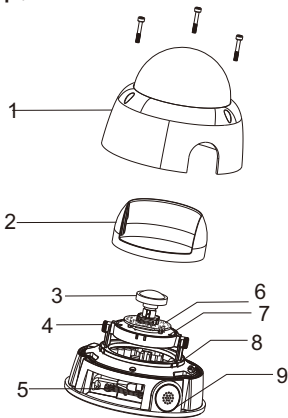
外观尺寸：



单位：mm



外观部件：



部件	部件名称
1	护罩
2	内罩
3	镜头
4	调节螺钉
5	尾线
6	镜头旋转部件
7	垂直旋转部件
8	底座水平旋转部件
9	侧出线孔

尾线：

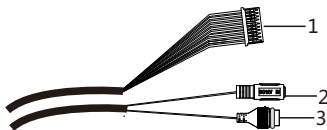


表1 线缆接口介绍

接口	接口名称	功能描述
1	用户线缆组合	包含告警输入/输出，音频输入/输出，RS485串口等
2	电源接口	连接DC12V电源（连接AC24V电源时需安装转接头）
3	网络接口	连接交换机等网络接入设备

表2 用户线缆组合接口介绍

接口名称	序号	颜色	接口名称	功能描述
用户线缆组合	1	黄	RS-485-A	RS485串口，与外界设备交互控制，如控制第三方设备
	2	绿	RS-485-B	
	3	粉红	AUDIO IN-1	音频输入接口，输入音频信号或进行语音对讲 可连接设备：拾音器等
	4	白	AUDIO IN-2	
	5	黑/白	AUDIO OUT	音频输出接口，输出音频信号。 可连接设备：音箱等
	6	浅绿	AUDIO GND	音频接地
	7	灰	ALARM IN	告警输入接口，输入告警开关量信号。 可连接设备：声控开关，烟感器等。
	8	红	ALARM IN GND	告警输入接地
	9	蓝	ALARM OUT-1-A	告警输出接口，输出告警信号。 可连接设备：报警灯等
	10	紫	ALARM OUT-1-B	

【说明】①告警输出ALARM OUT A和 ALARM OUT B 不分正负极，组成一路告警输出。

②音频输出（AUDIO OUT）和音频输入（AUDIO IN）共用音频地线。

四 DC12V、AC24V线径与传输距离关系表

DC12V 线径与传输距离关系表

当线径大小一定，DC12V电压损耗率低于10%时，推荐的最大传输距离。
不同线径的电源线最大长度和功率要求（仅供参考）。

距离m 功率W \ 线径 mm	0.80 (AWG20)	1.00 (AWG18)	1.25 (AWG16)	1.63 (AWG14)	2.00 (AWG12)
6	29	45	70	119	179
10	17	27	42	71	107
20	6	13	21	36	54
30	9	9	14	24	36
40	4	7	11	18	27
50	-	5	8	14	21
60	-	-	7	12	18
70	-	-	6	10	15
80	-	-	-	9	13
90	-	-	-	8	12
100	-	-	-	-	11
110	-	-	-	-	10
120	-	-	-	-	9

AC24V 线径与传输距离关系表

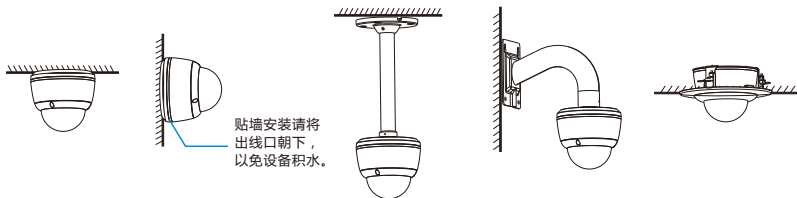
当线径大小一定，AC 24V 电压损耗率低于10%时，推荐的最大传输距离。（对于交流供电的设备而言，其最大的允许电压损耗率为10%。例如，一台设备额定功率为100VA，安装在离变压器28英尺（8m）远处，需要的最小线径大小为0.8000mm）。

距离 英尺(m)	线径 mm	0.8000	1.000	1.250	2.000
		功率 W			
10		283 (86)	451 (137)	716 (218)	1811 (551)
20		141 (42)	225 (68)	358 (109)	905 (275)
30		94 (28)	150 (45)	238 (72)	603 (183)
40		70 (21)	112 (34)	179 (54)	452 (137)
50		56 (17)	90 (27)	143 (43)	362 (110)
60		47 (14)	75 (22)	119 (36)	301 (91)
70		40 (12)	64 (19)	102 (31)	258 (78)
80		35 (10)	56 (17)	89 (27)	226 (68)
90		31 (9)	50 (15)	79 (24)	201 (61)
100		28 (8)	45 (13)	71 (21)	181 (55)
110		25 (7)	41 (12)	65 (19)	164 (49)
120		23 (7)	37 (11)	59 (17)	150 (45)
130		21 (6)	34 (10)	55 (16)	139 (42)
140		20 (6)	32 (9)	51 (15)	129 (39)
150		18 (5)	30 (9)	47 (14)	120 (36)
160		17 (5)	28 (8)	44 (13)	113 (34)
170		16 (4)	26 (7)	42 (12)	106 (32)
180		15 (4)	25 (7)	39 (11)	100 (30)
190		14 (4)	23 (7)	37 (11)	95 (28)
200		14 (4)	22 (6)	35 (10)	90 (27)

五设备安装

设备支持吸顶安装、墙面安装、壁装、吊装、嵌入式安装。

吊装、壁装和嵌入式安装需配合支架进行安装，设备本身不含支架，请联系供应商购买。



吸顶安装

墙面安装

吊装

壁装

嵌入式安装

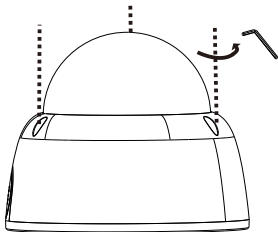
整机重量：0.6kg（不含包装）

安装TF卡(可选):

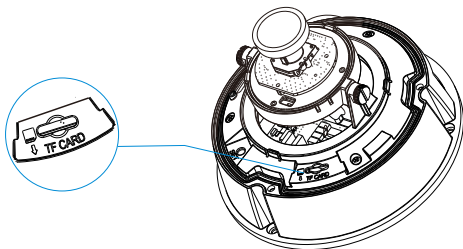
1. 取下护罩。用六角扳手拧开半球护罩上的三颗螺钉，取下半球护罩。

操作时请注意以下几点：

- 护罩取下后放置时不要将透明球面接地，避免刮花。
- 操作过程中，不要让螺丝刀划伤球罩内部，否则会影响图像效果。
- 不要撕下球罩内外的保护膜，待后续安装完成后后再撕。



2. 安装TF卡（可选）。在如下图所示TF卡槽位置插入TF卡。TF卡容量最大支持128G，插入TF卡后，不建议对其进行热插拔。

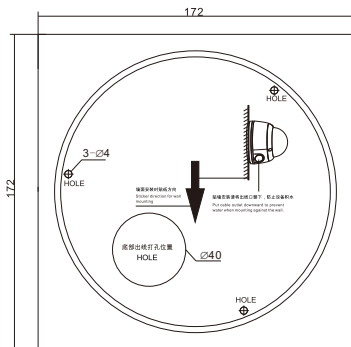


吸顶安装：

吸顶安装和墙面安装方式相同，本节以吸顶安装为例介绍其安装步骤。安装过程中请注意透明球罩的内外清洁。

当设备安装的墙体或天花板厚度和硬度适合固定自攻螺钉，同时其强度也能够承受设备的重量时，您可以进行吸顶安装或墙面安装。

1. 确定打孔位置。取出设备附件中的安装贴纸，根据监控区域，将其粘贴在天花板或者墙壁等安装面上。贴纸尺寸如下图所示。

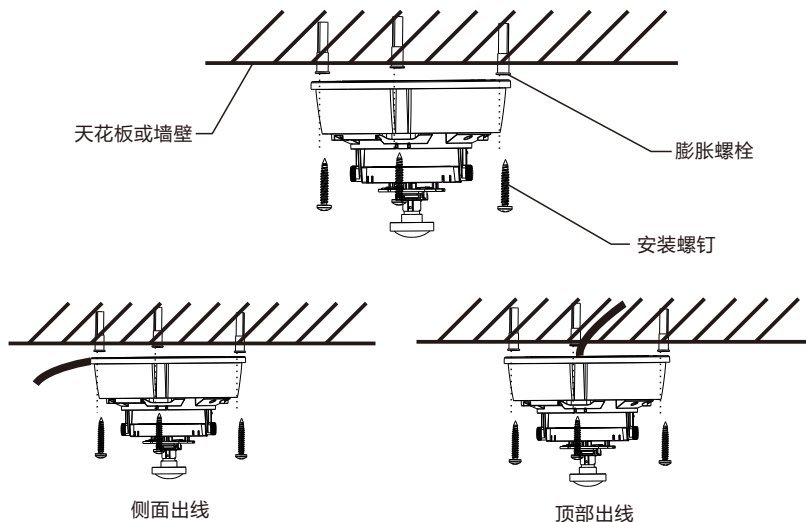


单位：mm

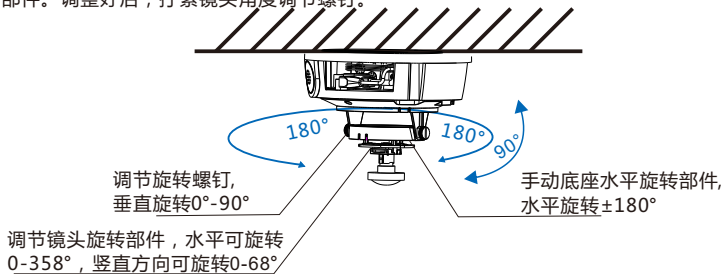
2. 打孔。在安装贴纸上带有“十字”标记的三个孔位处，打出三个塑料膨胀螺栓底孔，将三颗膨胀螺栓完全塞入到安装孔中。

【说明】如果在安装线缆时采用从安装面顶部出线的方式，还需要在安装贴纸标有“底部出线打孔位置”的位置打一个线缆出孔开口。如果采用从设备侧面出线的方式，需要通过半球底座上的U型线缆通道侧口将线缆引出。

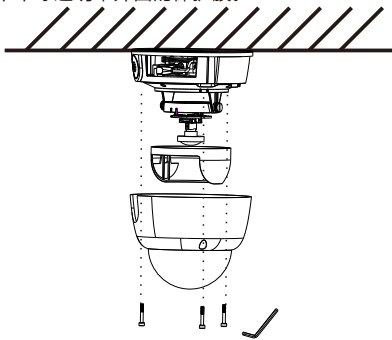
3. 将设备底座固定在墙面，调整好位置。线缆引入到安装面上的出线孔中，再将设备安装底座上的三个螺丝固定孔对准安装面上的三个塑料膨胀螺栓固定孔，然后将三颗螺钉拧到三个塑料膨胀螺栓中，并锁紧。



4. 调整镜头的监控方向。拧松镜头角度调节螺钉，手动旋转球体，镜头能够水平、垂直转动。转动镜头后方的旋转部件，将调节至 $\pm 90^\circ$ 时为走廊模式， 0° 时为普通模式。调整时不宜用力过猛，以免损伤部件。调整后，拧紧镜头角度调节螺钉。



5. 安装内罩与球罩。将塑料罩凹槽对准调节螺钉，用手向上推动卡紧。盖上外罩，用六角扳手将三颗防拆螺钉拧紧，最后撕下半球透明罩外面的保护膜。



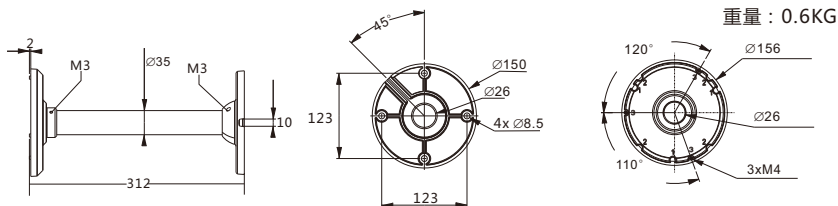
6. 连接线缆并上电。

吊装：

吊装支架和壁装支架不同，但安装方式类似，此处以吊装为例进行说明，壁装时请参考吊装安装步骤说明。

进行吊装或壁装，请确认安装的墙体或天花板厚度和硬度适合固定自攻螺钉，同时其强度也能够承受设备和支架的总重量。

吊装支架尺寸如下图：

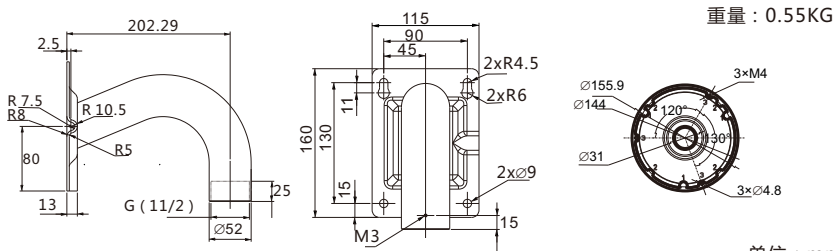


单位：mm

【注意】①吊装支架用于室内安装，一般不能用于室外。因特殊环境要求在室外使用时，请务必保证符合防水要求。若未做好防水而引起的进水故障，本公司将不承担由此引起的后果。

②用户定制的配合吊装支架使用的吊杆必须符合防水要求，不能进水、积水。

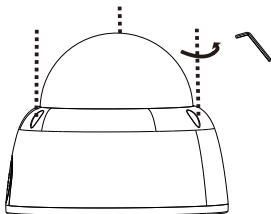
壁装支架尺寸如下图：



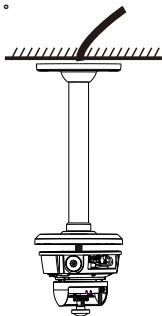
单位：mm

1. 墙面打孔。根据支架底座孔位，在墙面确认打孔位置并打孔，塞入膨胀螺栓。
如果在安装线缆时采用从安装面顶部出线的方式，还需要在墙面打一个线缆出孔开口。如果采用从侧面出线的方式，需要通过支架底座上的U型线缆通道侧口，将线缆引出。
2. 取下护罩。用六角扳手拧开半球护罩上的三颗防拆螺钉，取下半球护罩。护罩取下后放置时不要将透明球面接地，避免刮花。

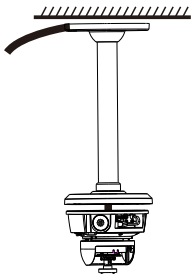
【说明】打孔选择钻头应与膨胀螺栓外径相配，孔深参考螺栓的长度。



3. 穿线。采用顶部出线时，将线缆穿过安装面；若采用侧面出线的方式，将线缆穿过支架底座上的U型线缆通道侧口。

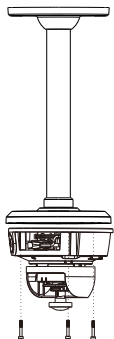


顶部出线

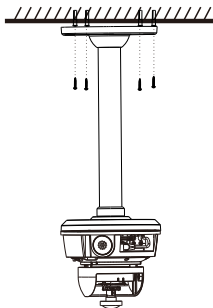


侧面出线

4. 将设备安装底座上的三个螺钉固定孔对准支架上的三个螺孔，然后将三颗螺钉拧紧，将半球固定在支架上。



5. 固定支架。将支架底座上的四个螺孔对准安装面上的四个膨胀螺栓孔，将四颗自攻螺钉拧紧到四个塑料膨胀螺栓中，并锁紧。



6. 取下内罩，参考吸顶安装的第4步进行镜头方向调节。确定好方向后，参考吸顶安装的第5步安装球罩。
7. 连接线缆并上电。

嵌入式安装：

嵌入式安装详见嵌入式支架安装方法。

六、登录客户端

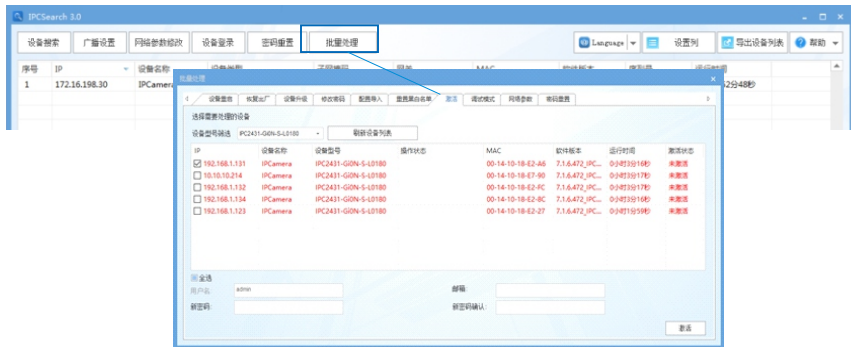
1.最低配置和系统环境

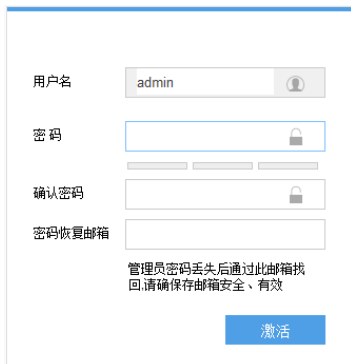
- 处理器：3.3GHz酷睿®i3系列及以上或相同性能的其他处理器
- RAM内存：4GB及以上
- 操作系统：Windows7操作系统或更高版本
- 浏览器：IE7.0及以上版本,Firefox(51.0及以下版本),Google Chrome(41及以下版本)
- DirectX：9.0c

2.设备激活

第一次使用时请运行光盘中附带的IPCSearch，在IPCSearch中将显示设备的IP地址、网关等信息。若IPC设备所接入的网络有DHCP服务，DHCP服务器将自动给IPC分配IP地址。

- 批量激活：在IPCSearch中选中设备，点击**批量处理**，在弹出的界面中设置admin用户的密码和找回密码时需要用的邮箱，点击**激活**按钮激活设备。待设备重启。
- 单个激活：在IPCSearch中选择设备，单击右键，选择**设备激活**。填写用户名、密码、找回密码时需要用到的邮箱。点击**激活**按钮激活设备。待设备重启。
- Web客户端激活：也可以通过Web客户端激活。将PC机与设备设为同一网段，登录Web界面。可在界面设置管理员密码和密码恢复邮箱，点击**激活**。





用户名

密码

确认密码

密码恢复邮箱

管理员密码丢失后通过此邮箱找回,请确保邮箱安全、有效

激活

3.修改设备IP

点击**修改网络参数**，在弹出的界面中配置网络参数。静态分配IP地址时，请选择自定义地址，填写以太网参数。修改参数配置，需要填写管理员用户用户名（admin）及激活设备时所设置的密码。完成IP配置后，设备将自动重启，重启时间约为2分钟。

4.登录设备

1) 在IPCSearch中双击设备或点击**登录设备**，输入用户名和密码，登录Web客户端。



用户名

密码

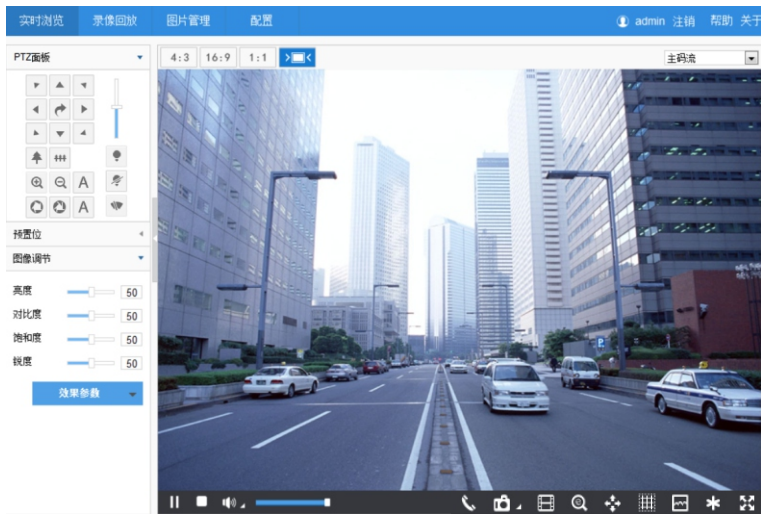
登录

2) 登录成功后，下载并安装视频插件。

3) 进入客户端后，直接浏览图像。

【说明】 不同型号，浏览界面略有差异，请以实际界面为准。更多客户端说明请参考客户端帮助文档。

调整设备方向，在Web客户端上进行参数调整，直到浏览画面达到预定要求。



保修说明

本保修卡适用于您购买的本公司系列产品。

- 1.免费保修期一年（仅限中国大陆地区，中国大陆以外地区请参考英文说明）。
- 2.凡保修期内，由于本产品自身引起的故障，请与公司售后服务部联系。
- 3.保修时我们将使用您的保修卡信息，请认真填写。
- 4.以下情况，属于有偿保修范围：
 - 人为原因造成的设备故障
 - 因使用环境不符合本产品要求造成的故障
 - 因不可抗力造成的产品损坏
 - 无保修卡
 - 已过免费保修期

用户信息

用户名称：

详细地址：

传真：

电话：

邮箱：

邮编：

产品名称：

产品型号：

购买日期：

I Preface

Thank you for purchasing our product. If there are any questions, or requests, please do not hesitate to contact us. Every effort has been made to ensure the accuracy and validity of this Guide. Any update of this Guide is subject to change without notice.

The intention of writing this Guide is to ensure that user can use the product correctly to avoid danger or property loss. Please read this Guide carefully before using, and keep it properly for future reference. If the product cannot work normally or is damaged because the user does not follow the safety instructions, we shall not assume any responsibility. Your cooperation will be highly appreciated.

II Safety Instruction

1. Power Supply

- During installing and using the device, please follow local electrical safety regulations strictly.
- Please use power supply in the safe voltage range of our product. Make sure the power supply is correct before running the device.
- Please install an easy-to-use breaker during installation and wiring in case it is necessary to make an emergency break.
- Please prevent the power cord from being trampled or pressed especially the plug, socket and the connecting part led out from the device.
- Please connect cables of power and RS-485 with the power off. Hot-line wiring is not allowed.

2. Working Environment

- Do not focus the camera lens on strong light such as the sun or incandescent lamp; otherwise the strong light will cause overexposure or light leak (not camera malfunction), which may shorten camera lifetime.
- Please transport, use and store the device within defined humidity and temperature ranges.
- Do not expose it in damp, dusty, extremely hot or cold places or places with intense electromagnetic radiation or with unstable lighting.
- Keep the camera away from water or any liquid to avoid damage to internal components.
- To avoid heat accumulation, please do not block the ventilation around the device.
- While shipping the camera, pack it in the factory packing or use materials with equivalent quality.
- When shipping, storing and installing the device, try to prevent it from damages caused by pressure, violent vibration and soaking.
- Do not press heavily on, vibrate violently or soak the device during transportation, storage and installation.
- The device is IP-67 rated. When it works outdoor, please make water-proof treatment to the wires.

Operating Environment		
Voltage	AC 24V, 0.46A	DC 12V, 0.65A
Temp.	-40°C ~ +70°C	
Humidity	10%~95% (non-condensing)	
Altitude	-60m~3000m	
Pressure	86kPa~106kPa	

3. Daily Maintenance

- Do not touch the heat component of the device directly to avoid empyrosis.
- When the lens is contaminated by dust or grease, use cotton cloth or lens clean cloth to wipe it off. When it is hard to clean, dip some lens cleanser and wipe gently and rotate outward from the middle until it is clean. Never apply any organic solvent with ethanol or benzene to clean the lens and housing.
- Do not disassemble or repair the device in any way by yourself. We shall not assume any responsibility for problems caused by unauthorized repair or maintenance.
- If the product does not work properly, please contact your dealer or the nearest service center.

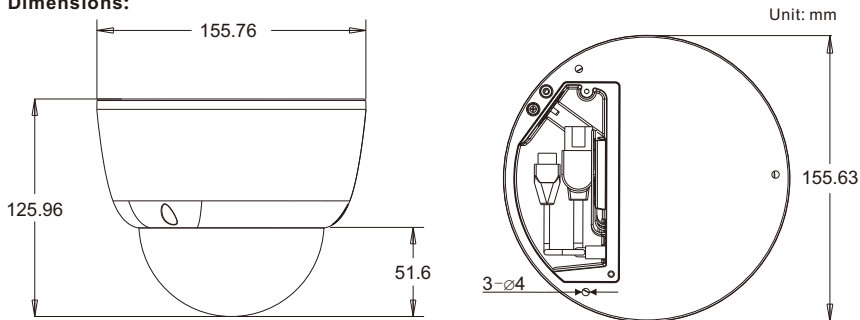
4. Special Statement

- The product appearance is subject to the actual device and picture in this Guide is for reference only.
- Every effort has been made to ensure the accuracy and validity of this Guide. Any update of this Guide caused by version upgrade is subject to change without notice.
- This Guide is made for multiple models but it will not illustrate one by one. Please refer to it according to the actual products you are using.
- This device can be used after being activated through IPCSearch in the attached CD. During activation please fill a valid email address for finding back the password.
- It is strongly recommended that you set a strong password which is composed of at least 2 kinds of the following, digits, case-sensitive letters or specific symbols, and whose length ranges from 8 to 16 bits. Please modify the password periodically and once every 3 months is recommended. If the device is used in highly risky environment, suggest modifying the password monthly or weekly. Please keep your user name and password safe.
- Accessing this device to the internet is at user's own risk, including but not limited to the possible network attack, hacker attack, virus infection and etc. This company will not assume any responsibility for problems of product abnormality and information disclosure caused thereof. We shall provide technical support relating to the products in time.
- For the latest files, please download from our website www.kedacom.com.

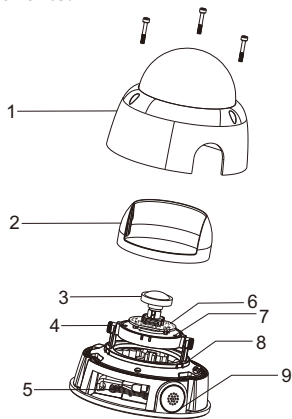
[Note] For more details, please refer to the *User Manual* in the attached CD.

III Appearance and Interface

Dimensions:



Components:



No.	Name
1	Cover
2	Inner Cover
3	Lens
4	Adjusting Screw
5	Buttcock Line
6	Lens Rotary Part
7	Vertical Rotary Part
8	Base Horizontal Rotary Part
9	Side Wire Hole

Buttcock line:

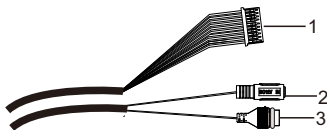


Table 1 Wire Interface Instruction

Port No.	Port Name	Function Description
1	User Cable Group	Including alarm in / out, audio in / out, RS-485 serial port and etc.
2	Power Supply	Connect to power supply of DC12V (need a converter for AC24V)
3	Network Port	Connect to network access devices like a switch

Table 2 User Cable Group Interface Instruction

Name	No.	Color	Port Name	Function Description
User Cable Group	1	Yellow	RS485_A	RS-485 serial port, to control external devices such as third-party device
	2	Green	RS485_B	
	3	Pink	AUDIO_IN_1	Audio input port, for inputting audio signal or talking Can be connected to: pick-up
	4	White	AUDIO_IN_2	
	5	B / W	AUDIO_OUT	Audio output port, for outputting audio signal Can be connected to: loudspeaker box
	6	Light Green	AUDIO GND	Audio grounding
	7	Gray	ALARM_IN	Alarm input port, for inputting alarm signal Can be connected to: voice-operated switch, smoke detector
	8	Red	ALARM_IN_GND	Alarm input grounding
	9	Blue	ALARM_OUT_1A	Alarm output port, for outputting alarm signal Can be connected to: alarm light
	10	Purple	ALARM_OUT_1B	

[Note]:

1) ALARM OUT A and ALARM OUT B are regardless of positive and negative polarities and they form a group of alarm output.

2) AUDIO IN and AUDIO OUT share AUDIO GND wire.

IV DC12V and AC24V Wire Diameter VS. Transmission Distance

DC12V Wire Diameter VS. Transmission Distance

The recommended max transmission distance when the wire diameter is certain and the DC12V voltage loss rate is less than 10%.

Requirements of max length and power for power cords of different diameters (for your reference only).

Distance (m) \ Diameter (mm)	0.80 (AWG20)	1.00 (AWG18)	1.25 (AWG16)	1.63 (AWG14)	2.00 (AWG12)
6	29	45	70	119	179
10	17	27	42	71	107
20	6	13	21	36	54
30	9	9	14	24	36
40	4	7	11	18	27
50	-	5	8	14	21
60	-	-	7	12	18
70	-	-	6	10	15
80	-	-	-	9	13
90	-	-	-	8	12
100	-	-	-	-	11
110	-	-	-	-	10
120	-	-	-	-	9

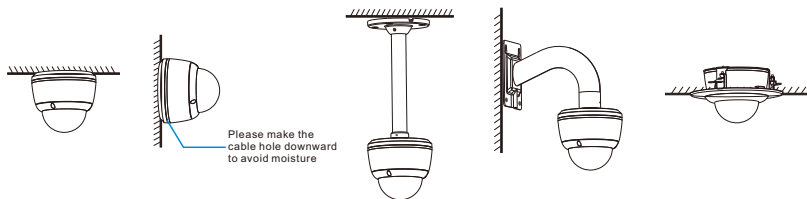
AC24V Wire Diameter VS. Transmission Distance

The recommended max transmission distance when the wire diameter is certain and the AC24V voltage loss rate is less than 10%. (For AC-powered devices, the max allowed voltage loss rate is 10%. For example, a device is rated 100VA and is installed 28 feet (8m) away from the transformer, the min. wire diameter is required to be 0.8000mm.)

Distance foot (m)	Diameter mm	0.8000	1.000	1.250	2.000
		Power W			
10		283 (86)	451 (137)	716 (218)	1811 (551)
20		141 (42)	225 (68)	358 (109)	905 (275)
30		94 (28)	150 (45)	238 (72)	603 (183)
40		70 (21)	112 (34)	179 (54)	452 (137)
50		56 (17)	90 (27)	143 (43)	362 (110)
60		47 (14)	75 (22)	119 (36)	301 (91)
70		40 (12)	64 (19)	102 (31)	258 (78)
80		35 (10)	56 (17)	89 (27)	226 (68)
90		31 (9)	50 (15)	79 (24)	201 (61)
100		28 (8)	45 (13)	71 (21)	181 (55)
110		25 (7)	41 (12)	65 (19)	164 (49)
120		23 (7)	37 (11)	59 (17)	150 (45)
130		21 (6)	34 (10)	55 (16)	139 (42)
140		20 (6)	32 (9)	51 (15)	129 (39)
150		18 (5)	30 (9)	47 (14)	120 (36)
160		17 (5)	28 (8)	44 (13)	113 (34)
170		16 (4)	26 (7)	42 (12)	106 (32)
180		15 (4)	25 (7)	39 (11)	100 (30)
190		14 (4)	23 (7)	37 (11)	95 (28)
200		14 (4)	22 (6)	35 (10)	90 (27)

V Installation

The camera supports ceiling mount, wall mount, pendent mount, wall bracket mount and embedded mount. The latter 3 installations need brackets but the device itself does not include brackets, please purchase from the dealer.



Ceiling Mount

Wall Mount

Pendent Mount

Wall Bracket Mount

Embedded Mount

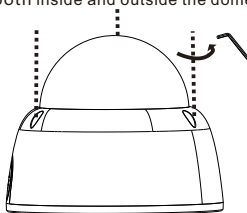
Camera weight: 0.6kg (packing excluded)

Install TF Card (optional):

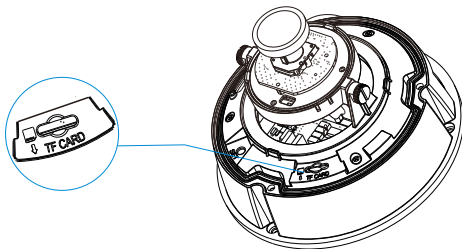
1. Take down the dome housing. Use a screw driver to screw off the 3 screws on the dome cover and take it down.

Note the following points during operation:

- Do not put the transparent dome cover on the ground when taking it down to avoid scratching.
- Prevent scratching the internal of the dome cover with the screw driver during operation; otherwise the image quality will be affected.
- Do not peel off the protective film both inside and outside the dome cover until finishing installation.



2. Install TF card (optional). Take down the internal cover and insert the TF card into the slot as shown in the following picture. The max supported memory of TF card is 128G. After insertion, hot-swapping the TF card is not recommended.

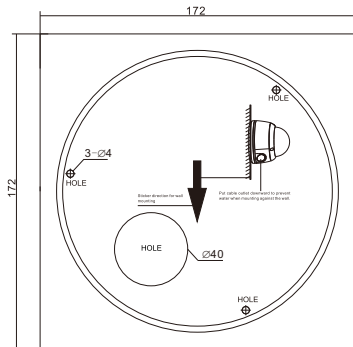


Ceiling Mount:

The installation steps of ceiling mount and wall mount are the same. This part will take ceiling mount as an example to introduce the installation steps. During the installation, please keep the transparent dome clean both inside and outside.

You can perform ceiling or wall mount when the wall or ceiling are thick and solid enough for fixing self-tapping screws and meanwhile strong enough for bearing the device.

1. Check the position for punching holes. Pick out the installation sticker from the attachment and stick it to the ceiling or wall according to the surveillance area. Size of the sticker is shown in the following picture.

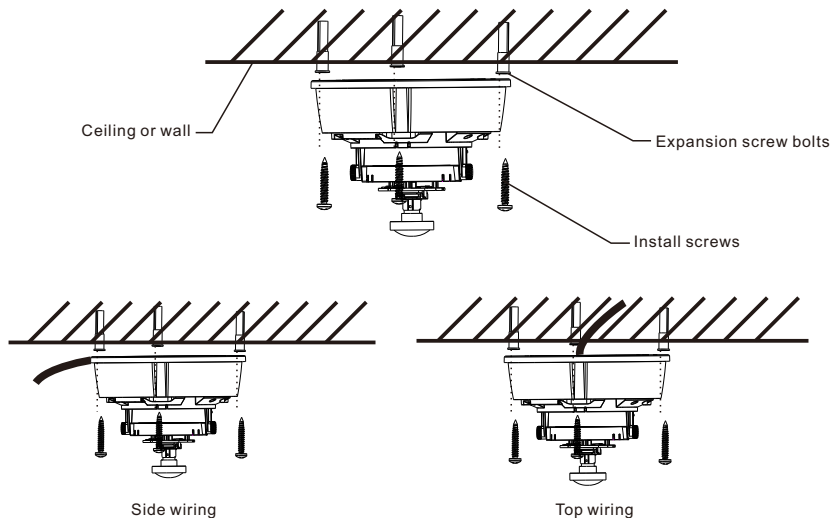


Unit: mm

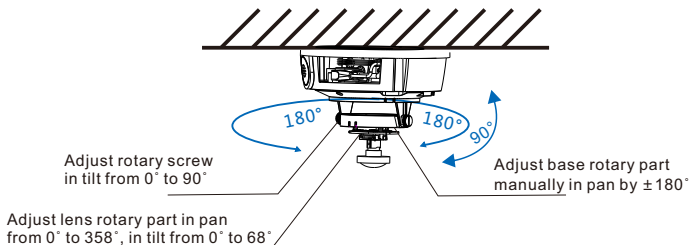
2. Punch holes. Punch 3 basic holes with plastic expansion screw bolts at the 3 "cross" hole marks on the sticker and insert the 3 expansion screw bolts thoroughly into the holes.

[Note] If routing the cables from the top of the mounting surface, a cable outlet hole is also needed at the part of "Cable Hole" on the sticker. If routing the cables from the profile side of the device, lead the cables out through the U-shaped groove at the side of the dome base.

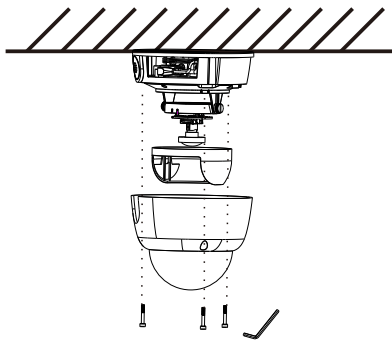
3. Fix the device base onto the wall. Adjust the base of the device, route the cables through the cable hole, align the 3 screw holes on the device base to the 3 plastic expansion screw bolts on the mounting surface, tighten the 3 tapping screws into the expansion screw bolts and fix the dome camera onto the surface.



4. Adjust lens surveillance direction. Loosen the lens angle-adjusting screw, rotate the dome manually and the lens will rotate in pan and tilt directions. Rotate the rotary part at the back of the lens. When the lens rotates till $\pm 90^\circ$, set the mode as corridor mode while 0° as common mode. It's inadvisable to rotate too hard during adjustment to avoid damage to the parts. After finishing adjustment, tighten the lens angle-adjusting screw.



5. Install inner cover and dome cover. Align the plastic slot to the adjusting screws and push upward to clasp it tight. Shut the dome cover and tighten the 3 tamper screws with a hexagon wrench. Finally, peel off the protective film outside the transparent dome cover.

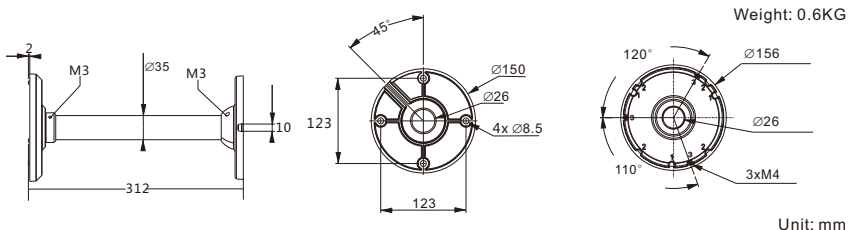


6. Connect cables and power on the device.

Pendent Mount:

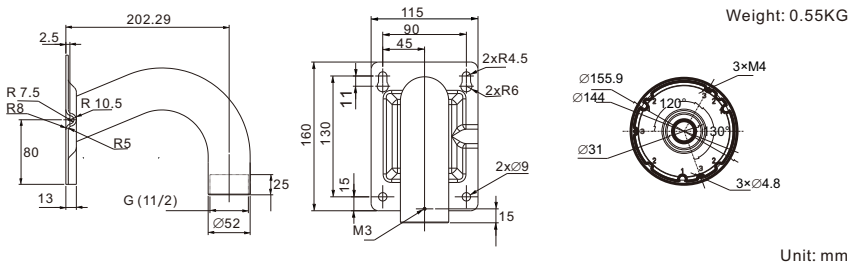
Though the pendent bracket is different with the wall bracket, their installation method is quite similar. Now take the pendent bracket as an example to illustrate the installation steps, which is also a reference for wall bracket mount.

When choosing pendent or wall bracket mount, please make sure that the mounting wall or ceiling is thick and solid enough for fixing tapping screws and meanwhile strong enough for bearing the total weight of the device and the bracket.



- [Attention]** 1) Pendent bracket is for indoor use only, usually not used outdoor. When it is used outdoor for some particular reason, make sure of its water-proofness. Failure of water-proof treatment will cause water leakage inside, and this company will not bear the responsibility of it.
- 2) The customized suspender working with the pendent bracket must be water-proof and free of water leakage.

Size of the wall bracket is shown below:

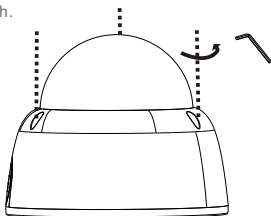


1. Punch holes on the wall. Determine the hole positions on the wall according to the holes on the base of the bracket, punch holes on the wall and insert expansion screw bolts.

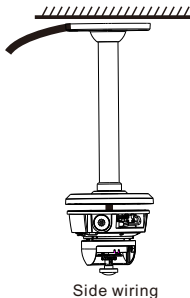
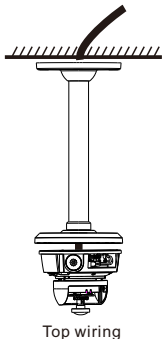
If routing cables from the top of the mounting surface, a cable outlet hole is also needed on the wall. If routing the cables from the profile side of the device, lead the cables out through the U-shaped groove at the base of the bracket.

2. Take down the dome cover. Use a hexagon wrench to loosen the 3 tamper screws and take down the dome cover. Do not put the transparent dome cover on the ground when taking it down to avoid scratching.

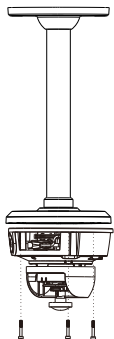
[Note] The outer diameter of the drill should match with that of the expansion screw bolt and the hole deepness match the screw bolt length.



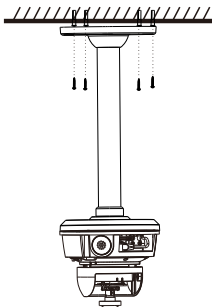
3. Route cables. If routing the cables from the top, lead the cables through the mounting surface. If routing the cables from the profile side of the device, lead the cables out through the U-shaped groove at the base of the bracket.



4. Align the 3 screw holes on the device base to the 3 screw holes on the bracket, tighten the 3 screws and fix the dome camera onto the bracket.



5. Fix bracket. Align the 4 screw holes on the bracket base to the 4 expansion screw bolts on the mounting surface, tighten the 4 tapping screws into the expansion screw bolts.



6. Take down the inner cover and adjust lens direction according to step 4 of ceiling mount. Then refer to step 5 of ceiling mount for dome cover installation.
7. Connect cables and power on the device.

Embedded Mount:

Refer to the installation of embedded bracket for details.

VI Login to Client

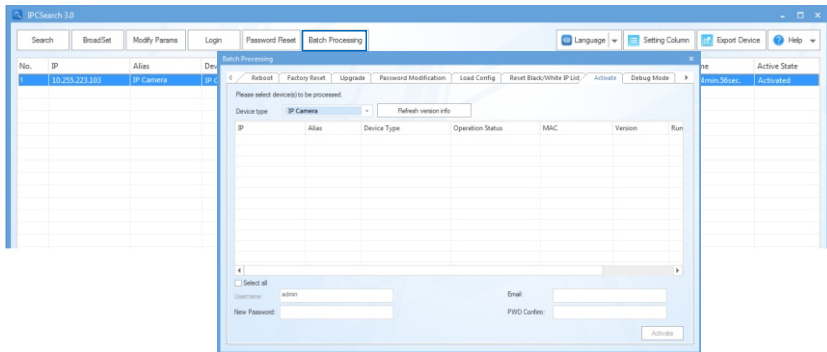
1. Minimum configurations and system requirements:

- Processor: 3.3 GHz CORE®i3 series or other equivalent processors
- RAM Memory: 4GB or above
- Operating System: Windows 7 or newer version
- Browser: IE7.0 and newer version, Firefox (51.0 and lower), Google Chrome (41 and lower)
- DirectX : 9.0c

2. Device Activation

When using the device for the first time, run IPCSearch in the attached CD: it will search devices in LAN automatically and display the list of device IP address, gateway and etc. If the network provides DHCP service, DHCP server will assign IP for the camera automatically.

- Batch: Select the device and click "**Batch processing**". In the popup interface, set admin user's password and the email address to find back the password. Click "**Activate**" and wait for rebooting.
- Individual: Select the device from IPCSearch and right click to select "**Active**". Fill admin user name and password and the e-mail address to find back the password. Click "**Activate**" and wait for rebooting.
- Web client: the device can also be activated through the web client. Set PC and the device in the same network segment and login to the web. User can set admin password and password reset email on the interface and click "**Activate**".



User Name

Password

Password

Confirm Password

Claim Email

When admin's password gets lost, find it back through this email. Make sure this email address is safe and valid.

3. Modify device IP address

Click **Modify Params** and set the network parameters. When configuring a static IP for the camera, please check "Custom device address (Close DHCP)" and fill the Ethernet parameter. During the modification, the user name (admin) and the password set before activation should be entered. After configuration, the camera will reboot automatically and this takes 2 minutes.

4. Login to the device

1) Double click the device in IPCSearch or click "Login". Enter user name and password to login the web client.

User Name

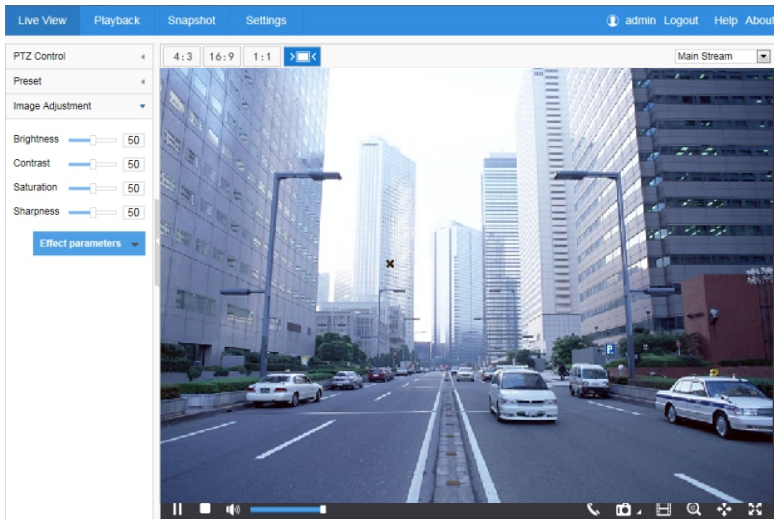
Password

2) After login, download and install the plug-in. Close browser during installation.

3) Re-login to the web client and view live video directly.

[Note]: Interface of different models may differ. Please subject it to the actual product. Please refer to the Help file for detailed explanation.

Adjust camera direction, configure camera parameters in web client until the live view meets requirement.



Kedacom Two (2) Year Limited Hardware Warranty

WHAT IS COVERED BY THIS WARRANTY?

Kedacom warrants the Kedacom-branded hardware product and accessories contained in the original packaging (hereinafter referred to as "Kedacom Product") against defects in materials and workmanship when used normally in accordance with Kedacom's published guidelines for a period of TWO (2) YEARS from the date of original retail purchase in areas other than mainland China by the end-user purchaser (hereinafter referred to as "Warranty Period"). For the Kedacom Product purchased in mainland China, see the simplified Chinese version of this warranty for details. Kedacom's published guidelines include but are not limited to information contained in technical specifications, user guides, and service communications.

The preceding applies unless otherwise agreed in the contract.

WHAT IS NOT COVERED BY THIS WARRANTY?

This warranty does not apply to any non-Kedacom branded hardware products or any software, even if packaged or sold with Kedacom hardware. Manufacturers, suppliers, or publishers, other than Kedacom, may provide their own warranties to you but Kedacom, in so far as permitted by law, provides their products "AS IS". Software distributed by Kedacom with or without the Kedacom brand (including, but not limited to system software) is not covered by this warranty. Please refer to the licensing agreement accompanying the software for details of your rights with respect to its use. Kedacom does not warrant that the operation of the Kedacom Product will be uninterrupted or error-free. Kedacom is not responsible for damage arising from failures to follow instructions relating to the Kedacom Product's use.

This warranty does not apply: (a) to consumable parts, such as batteries, unless failure has occurred due to a defect in materials or workmanship; (b) to cosmetic damage, including but not limited to scratches, dents, and broken plastic on ports; (c) to damage caused by use with another product; (d) to damage caused by acts outside the control of Kedacom, including without limitation acts of God, accidents, abuse, misuse, fire, storms, earthquakes, flood, or other external cause; (e) to damage caused by exposure of the product to heat, bright light, sun, liquids, sand, or other contaminants; (f) to damage caused by operating the Kedacom Product outside Kedacom's published guidelines; (g) to damage caused by service (including upgrades and expansions) performed by anyone other than a representative of Kedacom, Kedacom employee, or authorized Kedacom agent; (h) to an Kedacom Product that has been modified to alter functionality or capability without the written permission of Kedacom; (i) to defects caused by normal wear and tear or otherwise due to the normal aging of the Kedacom Product, or (j) if any serial number has been removed or defaced from the Kedacom Product.

YOUR RESPONSIBILITIES

If your Kedacom product is capable of storing data and other information, you should make periodic backup copies of the information contained on the storage media to protect the contents and as a precaution against possible operational failures.

Before receiving warranty service, Kedacom or its authorized agents may require that you furnish proof of purchase details, respond to questions designed to assist with diagnosing potential issues, and follow Kedacom's procedures for obtaining warranty service. Before submitting your Kedacom Product for warranty service, you should maintain a separate backup copy of the contents of its storage media, remove all personal information that you want to protect, and disable all security passwords.

During warranty service, it is possible that the contents of the Kedacom product's storage media will be lost, replaced or reformatted. In such an event, Kedacom and its authorized agents are not responsible for any loss of data or other information contained on the storage media or any other part of the Kedacom product serviced.

Following warranty service, your Kedacom Product or a replacement product will be returned to you as your Kedacom Product was configured when originally purchased, subject to applicable updates. You will be responsible for reinstalling all other data and information. Recovery and reinstallation of other data and information are not covered under this warranty.

WHAT WILL KEDACOM DO IF THE WARRANTY IS BREACHED?

If during the Warranty Period, you submit a valid claim to Kedacom or an authorized Kedacom agent, Kedacom will, at its option, (i) repair the Kedacom Product using new or previously used parts that are equivalent to new in performance and reliability, or (ii) exchange the Kedacom Product for a refund of your purchase price.

A Kedacom replacement part or product, including a user-installable Kedacom part that has been installed in accordance with instructions provided by Kedacom, assumes the remaining warranty of the Kedacom Product or ninety (90) days from the date of replacement or repair, whichever provides longer coverage for you. When a product or part is replaced or a refund provided, any replacement item becomes your property and the replaced or refunded item becomes Kedacom's property.

Kedacom reserves the right to refund the purchase price as its exclusive warranty remedy.

HOW TO OBTAIN WARRANTY SERVICE?

To seek warranty service, please contact a local authorized Kedacom agent. When contacting the agent via telephone, other charges may apply depending on your location.

User Information

Complete the form below and keep for ready reference.

User Name:	
Address:	Postal Code:
Tel:	Mobile:
Fax:	E-Mail:
Product Name:	Product Model:
Date of Purchase:	

客户咨询热线：400-828-2866

KEDACOM

苏州科达科技股份有限公司
Suzhou Keda Technology Co.,Ltd.

中国: 江苏省苏州市高新区金山路131号(215011)
Tel: +86-512-68418188 Fax: 86-512-68412699

Suzhou Keda Technology Co.,Ltd.

Singapore: 627A Aljunied Road, #09-07, BizTech Centre, Singapore 389842
Tel: +65-6842-5700 Fax: +65-6842-5900

05.03.800660 (V1.2) 20200520